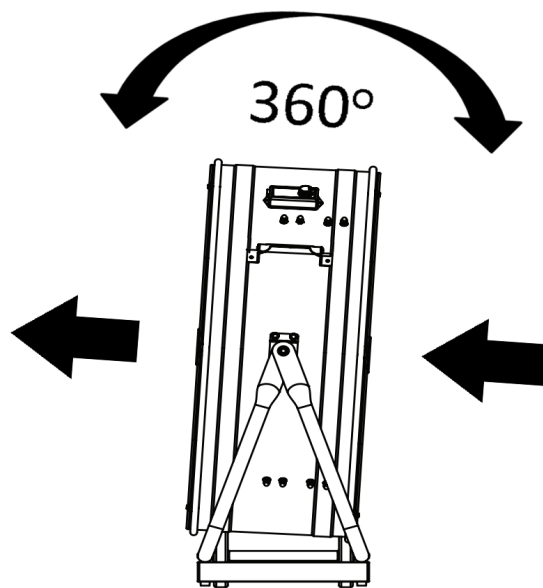


FAN

DF 36 P



FUNCTIONING PRINCIPLES



Air flow is forced through axial fan. The air is sucked into inlet on the rear of the device and blown out through outlet on the front.

The fan is equipped with :

- rotary switch : off / low speed / high speed.
- steel frame that allows adjustment of the direction of the air stream;
- two metal-rubber wheels that allows easy movement of the fan.

TECHNICAL DATA

Speed mode		1	2	Voltage	V	220 - 240
Air flow	m ³ /h	11800	13200	Frequency	Hz	50
Noise level	dB	78	80	Net weight	kg	41,3
Motor speed	obr/min	860	950	Gross weight	kg	45
Power consumption	kW	0,39	0,41			
Current	A	1,77	1,87			

PACKING

Dimensions packing	mm	1050x390x1110
Dimensions utilization	mm	1030x375x1080
Pieces for Europallet	n°	4
Pieces full truck	n°	132

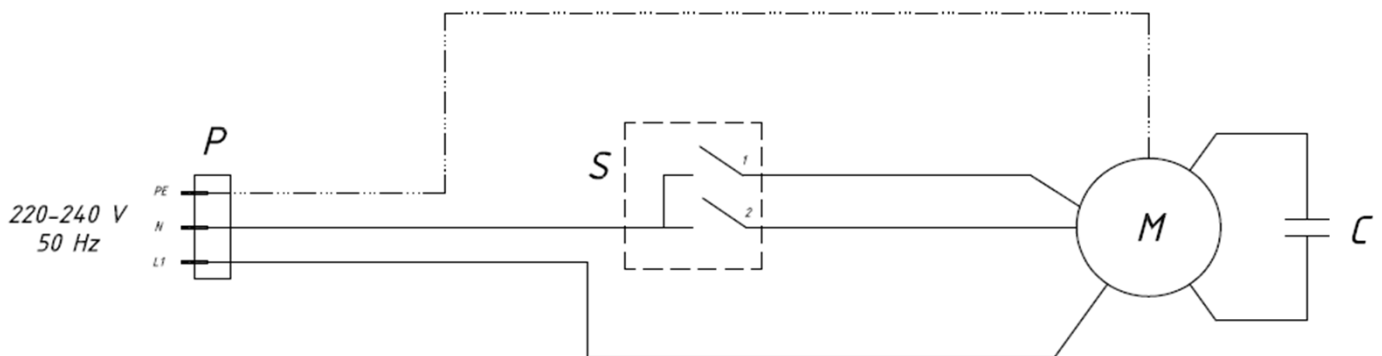
COMPONENTS

Motor

Asynchronous, monophase, with thermal protection,
clockwise rotation

ACCESSORIES

WIRING DIAGRAM



P PLUG

S SWITCH

M MOTOR

C CAPACITOR