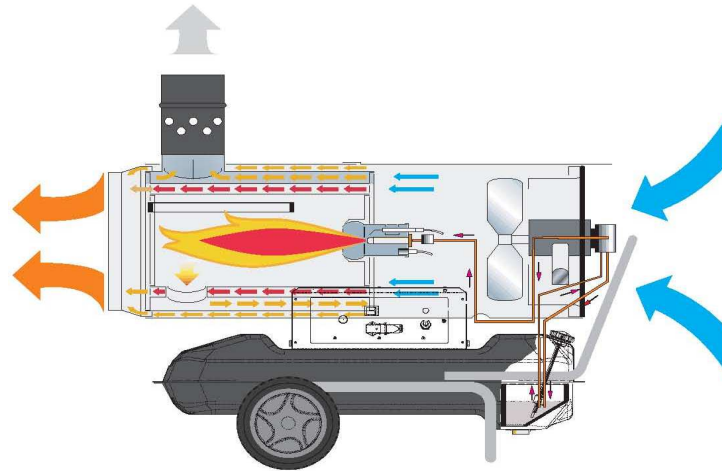


## INDIRECT OIL HEATER

# BV 110



## HEATER FUNCTIONING DIAGRAM



The indirect air heaters thanks a heat exchanger that enables to separate exhaust combustion gases from the heat released in the environment, so that it is possible to inject a flow of clean hot air in the area that needs to be heated and to discharge exhaust fumes externally. The hot air generators is designed in compliance with current safety, performance and life standards, is fitted with safety devices configured to guarantee continuous operation, minimize noise and are manufactured in carefully selected materials that ensure maximum reliability.

## SPECIFICATION

Max Capacity	kW Kcal/h Btu/h	<b>33</b> <b>28400</b> <b>112800</b>	Oil consumption	kg/h	<b>2,71</b>
Combustible		Oil / Kerosene	Tank capacity	l	<b>65</b>
Net weight	Kg	<b>61</b>	Autonomy	h	<b>19,90775</b>
Gross weight	Kg	<b>77</b>	Tension	V	<b>220-240</b>
Ø Fan	mm	<b>350</b>	Frequency	Hz	<b>50</b>
Ø Chimney flue	mm	<b>150</b>	Rated current	A	<b>2,3</b>
Performance	%	<b>80</b>	Noise level	dBa	<b>77</b>
Airflow	m <sup>3</sup> /h	<b>1800</b>	Pump pressure	bar	<b>12</b>

## PACKING

Packaging dimensions	mm	<b>1200 x 650 x 1000</b>
Effective dimensions	mm	<b>1235 x 575 x 1000</b>
Pieces for pallet	n°	<b>1</b>
Pieces full truck	n°	<b>80</b>

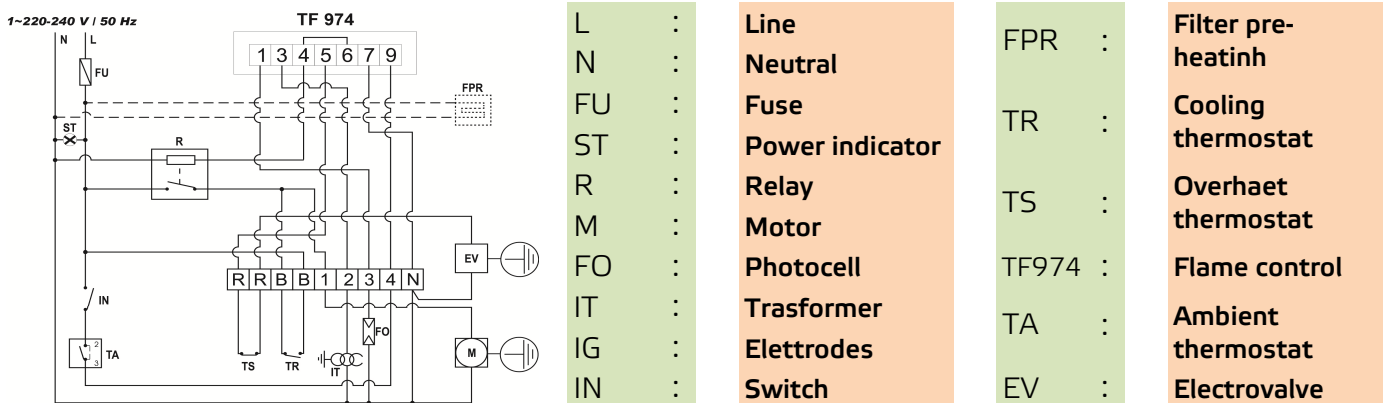
## COMPONENTS

Pump	Danfoss BFP - rotary with element filter
Nozzle	Danfoss 0,65 GPH 80° S
Flame control	Electronic board and separately transformer
Igniter	Bifilar electrodes
Oil filter	In line da 60 µm
Overheat thermostat	Series / N.C. until at 90°C
Motor	Asynchronous, monophase, with thermal protection, Anticlockwise rotation, 2100 g/1'
Tank	Material iron sheet
Ambient thermostat	Predisposition for connecting an ambient thermostat

## ACCESSORIES

Ambient thermostat	Thermostat TH5
Hose flexible	Ø 407 - Lenght 7,6 m - first 2 meters are made high resistant material
Adaptor ring kit	Kit for hose flexible Ø 400 mm
Filter pre-heating	Predisposition for connecting the filter pre-heating

## WIRING DIAGRAM



## OIL DIAGRAM

