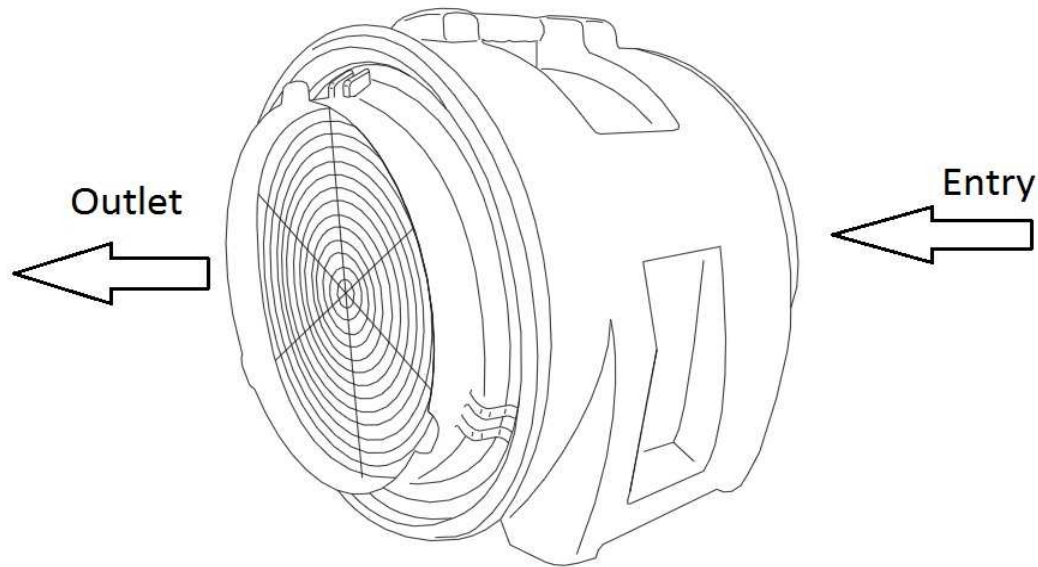


FAN

BL 8800



FUNCTIONING PRINCIPLES



The air flow is forced axial fan. Air is sucked in the rear of the device and the outlet takes place in front of the machine.

TECHNICAL DATA

Max capacity	kW Kcal/h Btu/h	0,75	Power supply	V	230
			Frequency	Hz	50
Combustible		Power	Rated current	A	3,3
Net weight	kg	19			
Gross weight	kg	20			
Noisy level	dBa	79			
Air displacement	m ³ /h	7800			

PACKING

Dimensions packing	mm	560x550x600
Dimensions utilization	mm	510x530x580
Pieces for Euro-pallet	n°	6
Pieces per truck 80m ³	n°	192

COMPONENTS

Motor

Asynchronous, monophasic, with thermal protection,
clockwise rotation, 2900rpm

ACCESSORIES

Hose

∅407 mm; 7,6m

WIRING DIAGRAM

M : Motor

